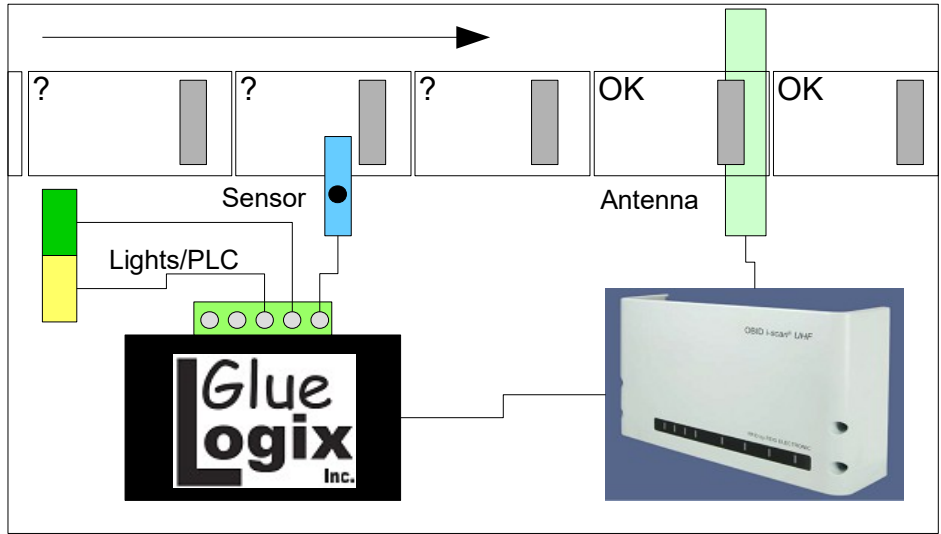
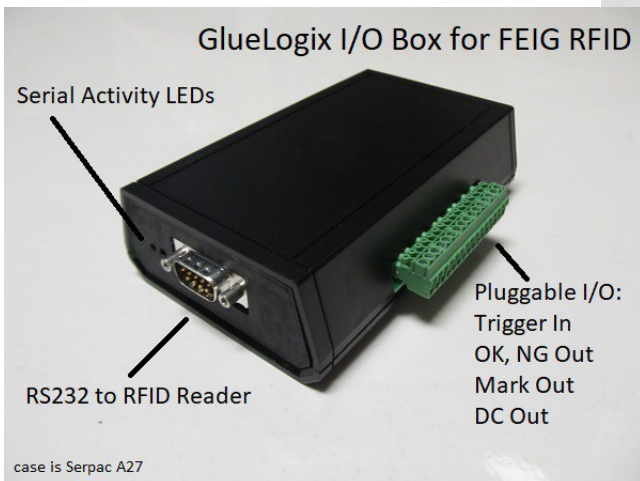
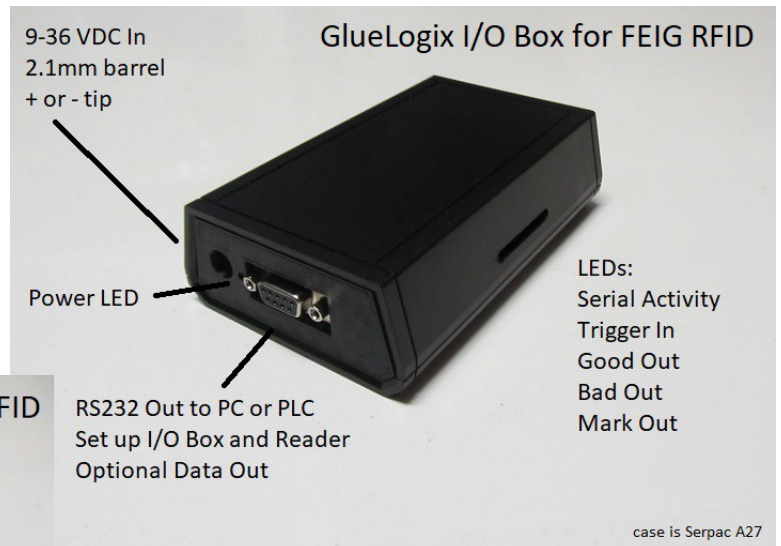


I/O Box for FEIG RFID Readers
 GlueLogix
 Inc. www.GlueLogix.com
 Larry@GlueLogix.com
 USA 919.342.0201

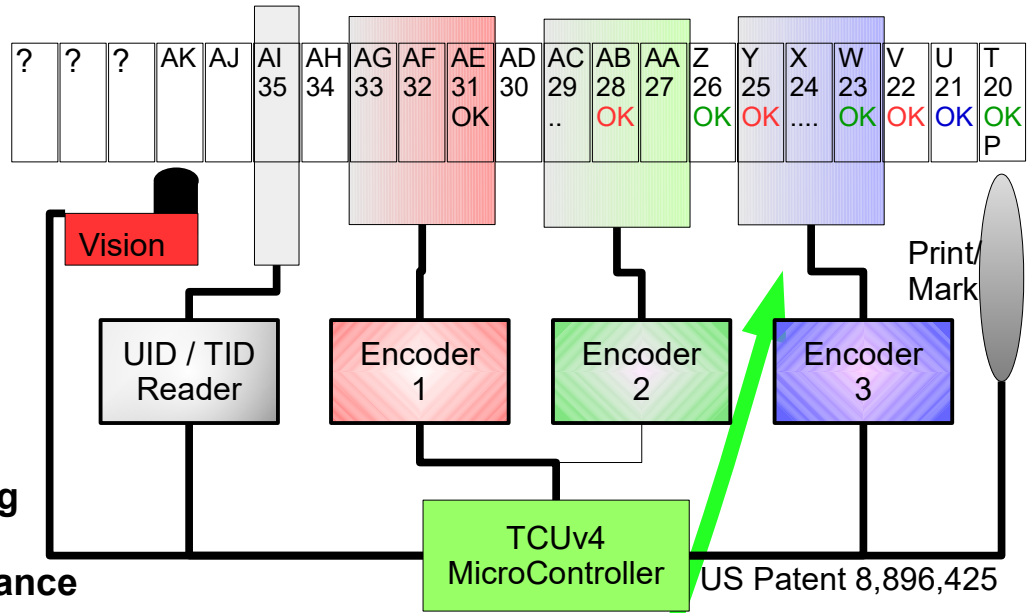


- Cost reduced version of time tested LineLogix TCU
- Read test up to 20/sec on one FEIG RFID reader
- Accepts 9-36 VDC, + or – polarity
- 24VDC I/O for Sensor input, OK and NG outputs
- Outputs are power supply, ground, OK, NG and Mark
- LEDs signal power, serial traffic and all I/O
- RS232 output of chip data emulates camera
- Customization and source code available for purchase



gluelogix.com/loBoxForFeig.php





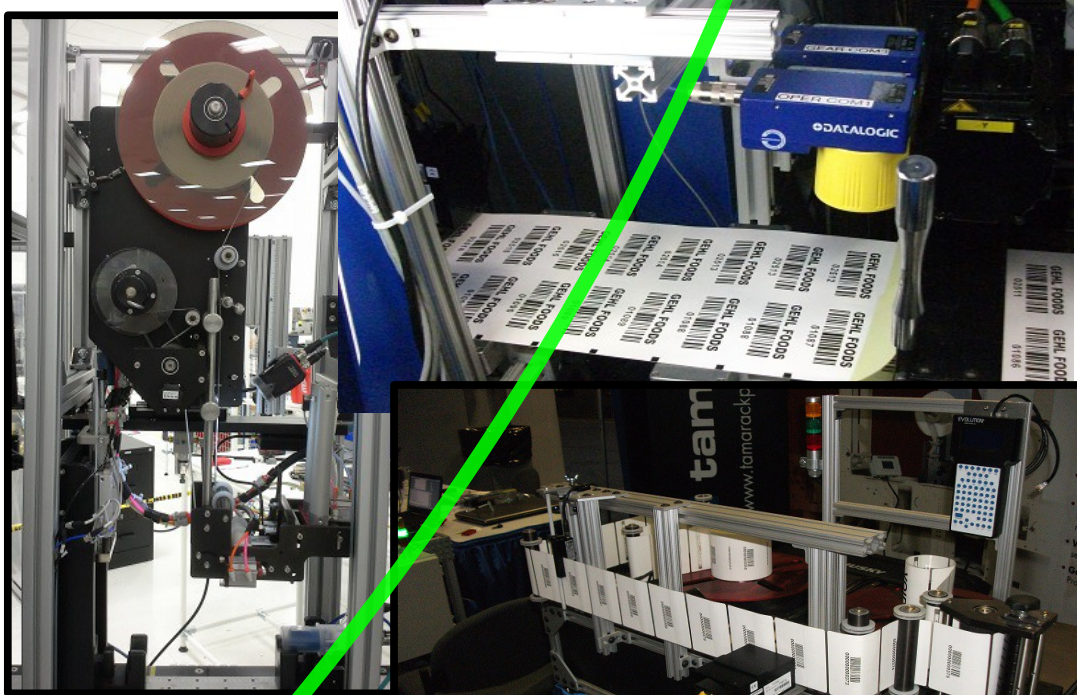
Performance ↑

RFID Encoding Price vs Performance

<http://gluelogix.com/EncodeInMotion.php>

Up to 72,000/hr UHF AND/OR HF
From \$75k plus machine

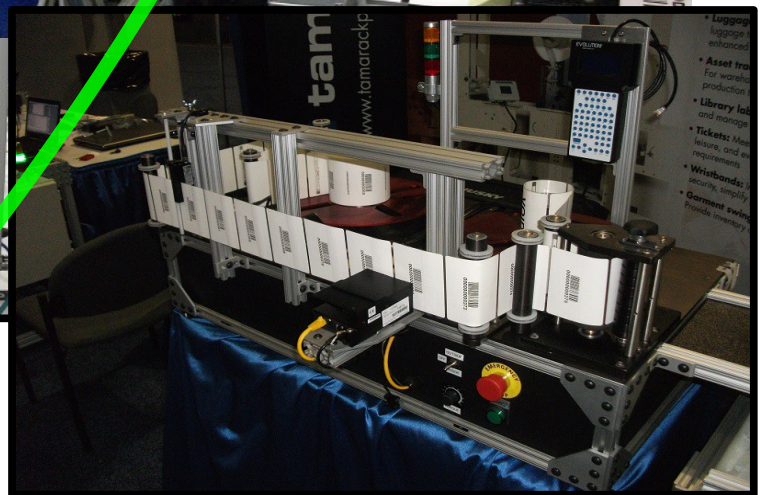
Apply
Rewind
Index



Standalone



1,000/hr, \$2500
No machine/hand placed



5,000-15,000/hr
\$15-25k

<http://gluelogix.com/LineLogix.shtml>
<http://gluelogix.com/LineLogixEncoding.php>

Price →